



CM

TRUCK BEDS®

2025 PARTS BOOK



PARTS DEPARTMENT

PARTS BOOK / OUR MISSION

CM Truck Beds is America's leader in flat deck truck bodies. One of the most important facets of buying a truck body is having the right parts to install the body. At CM Truck Beds, we have the parts you need to get the job done right. From install kits, wiring harnesses, and all aftermarket parts in between, we carry a wide variety of aftermarket truck equipment parts suitable for any upfit. Whether you are installing a bed, want aftermarket parts, or need to complete a repair, we carry the right solutions for you. We also offer many parts that fit other brands of flat deck and service bodies.

Should you have any questions about our parts or part fitment, don't hesitate to pick up the phone and reach out to our experienced team of parts professionals. Our knowledgeable staff stands ready to assist you in getting the right parts, on-time.

For questions, please contact us at 580.564.7537 or parts@cmtruckbeds.com.

PARTS BOOK / TABLE OF CONTENTS

LIGHTING <ul style="list-style-type: none"> LED's, Grommets, Trim Rings 	2
CAST PARTS <ul style="list-style-type: none"> Light Housings, Fuel Fills, Fenders, Tiedowns 	3
ROADWAY PROTECTION <ul style="list-style-type: none"> Fender Mounts, Mudflaps, Side Rails, Panels, Etc. 	4-7
LIFTING EQUIPMENT <ul style="list-style-type: none"> Cranes, Hydraulic Accessories, Hoists, Etc. 	8
INSTALLATION KITS <ul style="list-style-type: none"> Ford, GM, RAM, Universal 	9
ADAPTERS & WIRING HARNESSSES <ul style="list-style-type: none"> OEM Specific Adapters, Complete Harnesses, Trailer Plugs 	10-12
HITCHES <ul style="list-style-type: none"> Receivers, Fifth Wheel, Replacement Bumper/Receiver, Turnover Balls 	13
TOOLBOX EQUIPMENT <ul style="list-style-type: none"> CTech, American Eagle, Equipto Drawers, Shelving, Latches, etc. 	14-17
DOORS & FABRICATED ASSEMBLY <ul style="list-style-type: none"> Product Assembly Breakdown, Quick Quote Reference Page 	18-25

PARTS BOOK / LIGHTS



1



2



3



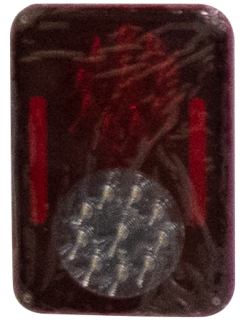
4



5



6



7



8



9



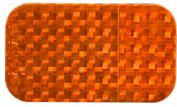
10



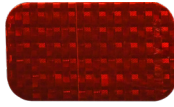
11



12



13



14



15



16

LED LIGHTS ■ BULLET LIGHTS ■ REFLECTION STICKERS ■ WORK LIGHTS

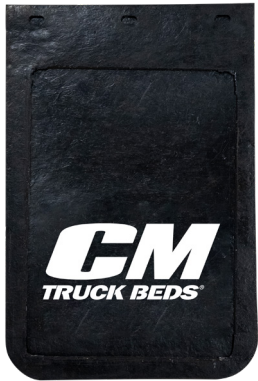
Ref No.	Part No.	Description	Ref No.	Part No.	Description
1	8100367	6" Oval S-T-T Red Lens 6 Diode	-	8101534	3/4" LED Bullet DOT Light - Amber
2	8101516	6" Oval S/T/T Clear Lens Red LED Diode	9	8101905	3/4" LED Bullet License Plate - White
3	8101085	6" Oval Clear Lens White LED 6 Diode	10	8101436	3/4" LED Bullet Light Bezel - Chrome
4	8101562	6" Oval Flush Mount S/T/T Clear Lens Red 10 Diode	11	7181636	6" x 4" LED Work Light with Chrome Trim
-	121697	6" Oval Flush Mount Clear Lens White LED 10 Diode	12	8101560	18W/1170LM LED Flood Light
5	8100387	6" Oval Grommet	13	119238	Adhesive Backed Reflector - Amber
6	118526	6" Chrome Bezel - For Flush Mount Lights	14	119239	Adhesive Backed Reflector - Red
7	7181585	4-Action Flush Mount Tail Light Assembly	15	8101222	LED Tractor, Obsolete TM Worklight
8	8101535	3/4" LED Bullet DOT Light - Red	16	7000584	Toggle Switch with Cup - 2 Wire

PARTS BOOK / CAST PARTS



LIGHT HOUSINGS ■ FUEL FILLS ■ FUEL CAPS ■ FENDERS					
Ref No.	Part No.	Description	Ref No.	Part No.	Description
1	120803	Cast Aluminum Driver's Side Light Housing	15	9471812	Cast Aluminum Fuel Fill, Square
2	120804	Cast Aluminum Passenger's Side Light Housing	16	119384	5" Stainless Steel Fender - 6" x 37" - Welting Needed
3	120561-B	Cast Aluminum License Plate Housing	17	118617	5" Steel Fender - Raw - 5" x 37"
4	121391	Cast Aluminum Work Light Housing Driver's Side	18	114631	2" Steel Fender - Raw - 2" x 37"
5	121390	Cast Aluminum Work Light Housing Passenger's Side	19	7050173	2" Stainless Steel Fender - 3" x 37" - Welting Needed
6	9471782-C	Cast Aluminum Rectangle Fuel Fill/DEF	-	7050182	2" Aluminum Fender - 2" x 37"
7	9471781-C	Plastic Rectangle Fuel Fill/DEF	-	121831	5" Stainless Steel Fender - 6" x 45"
8	7200043	Cast Steel Fuel Neck - "2 OD Fuel - 3/4" OD Vent	20	7050812	Hotshot Body DRW Poly Fender - Fender Only
9	7200051	Plastic Sealing Fuel Cap	-	5352810	Fender Mounting Brackets for DRW Poly Fender
10	120633	Cast Aluminum Fuel Fill - Round	21	946012	Welting Trim for Stainless Fenders
11	9470573	Cast Aluminum DEF Fill - Round	22	7181606	Airline Track Kit 18" with D-Ring
12	122131	Plastic Fuel Fill - Round	23	5351496	D-Ring Tiedown 2 1/2" for Airline Track
13	7200059	Fuel Fill Cup - 6" x 6" - Plastic	24	120307	Stainless Steel Tiedown 360 Degree
14	7200065	Fuel Fill Cup - 6" x 6" - Cast Aluminum	-	7181651	Fuel Fill Kit - Standard - With Neck & Cap
			-	7181652	Filler Neck with Cap - Diesel - Std Black Cap

PARTS BOOK / ROADWAY PROTECTION



1



4



7



8



2



5



3



6



9

FENDER MOUNTS ■ BOLTS/NUTS ■ STRAPS ■ CLAMPS

Ref No.	Part No.	Description	Ref No.	Part No.	Description
1	112945	SRW Mudflap Only with Logo	7	102617	1/2" - 13 Steel Nylon Lock Nut
2	121061	SRW Mudflap Strap Only	-	7030534	1/2" Steel Washer
3	7180551	SRW Mudflap Bracket	8	120637	5/16" - 18 x 1" Bolt
4	8300018	DRW Mudflap Only with Logo	-	118517	SRW Mudflap Kit w/Logo - Flap, Bracket, Strap, Hardware
5	121062	DRW Mudflap Strap Only	-	118516	DRW Mudflap Kit w/Logo - Flap, Bracket, Strap, Hardware
6	7180550	DRW Mudflap Bracket	9	5352810	Fender/Flap Mounting Bracket Kit



1



2



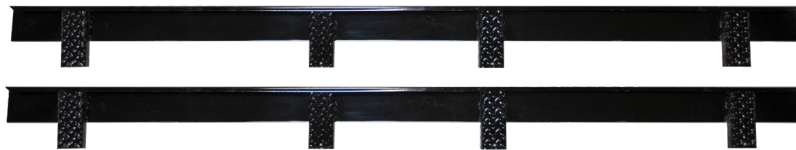
3



4

STAKE SIDE PANELS & KITS

Ref No.	Part No.	Description	Ref No.	Part No.	Description
1	7180929	Stake Panel, 6' Side Panel	-	7180938	Stake Side Kit, 12' Set
2	7180928	Stake Panel, 5' Side Panel	-	7180935	Stake Side Kit, 14' Set
3	7180930	Stake Panel, 4' Driver's Side Gate	-	7180936	Stake Side Kit, 16' Set
4	7180931	Stake Panel, 4' Passenger's Side Gate	-	7180937	Stake Side Kit, 20' Set
-	7180927	Stake Panel, 4' Side Panel	-	7180963	Stake Side Kit, 22' Set
-	7180966	Stake Side Kit, 11' Set	-	7180964	Stake Side Kit, 24' Set



STEEL DROP IN SIDE RAILS

Part No.	Description	Part No.	Description
121160	Steel Drop In Side Rails - 118" - Fitment 11'4" x 97"	123487	Steel Drop In Side Rails - 92" - Fitment 8'6" x 84"
121159	Steel Drop In Side Rails - 94" - Fitment 9'4" x 97"	113500	Steel Drop In Side Rails - 85" - Fitment 8'6" x 97"
		113456	Steel Drop In Side Rails - 74" - Fitment 8'4" x 84"



ALUMINUM DROP IN SIDE RAILS

Part No.	Description	Part No.	Description
7180662	Aluminum Drop In Sides (Bolt Together) 6" Tall - Fitment 8'4" - 9'4"	7180648	Aluminum Drop-In Sides (Bolt Together) 4" Tall - Fitment 8'4" - 9'4"
7180660	Aluminum Drop-In Sides (Bolt Together) 4" Tall - Fitment 11'4"		

PARTS BOOK / ROADWAY PROTECTION



STEEL FOLD DOWN SIDE RAILS

Part No.	Description	Part No.	Description
7180656	Steel Fold Down Side Rail - 118" PWD - Complete Kit	7180654	Steel Fold Down Side Rail - 85" PWD - Complete Kit
7180655	Steel Fold Down Side Rail - 102" PWD - Complete Kit	7180667	Steel Fold Down Side Rail - 74" PWD - Complete Kit
7180652	Steel Fold Down Side Rail - 94" PWD - Complete Kit	7180668	Steel Fold Down Side Rail - 67" PWD - Complete Kit
7180653	Steel Fold Down Side Rail - 92" PWD - Complete Kit		

ALUMINUM FOLD DOWN SIDE RAILS

Part No.	Description	Part No.	Description
7180769	Aluminum Fold Down Side Rail - 118" Kit	7180774	Aluminum Fold Down Side Rail - 85" Kit
7180770	Aluminum Fold Down Side Rail - 102" Kit	7180805	Aluminum Fold Down Side Rail - 6" x 85"
7180772	Aluminum Fold Down Side Rail - 94" Kit	7180775	Aluminum Fold Down Side Rail - 74" Kit
7180773	Aluminum Fold Down Side Rail - 92" Kit	7180768	Aluminum Fold Down Side Rail - 67" Kit



FULL GUARD TRUCK BUMPER

Part No.	Description	Model Year
718FORD2023-	Bumper - Ford 250-350	2023-Present
718FORD2017-2022	Bumper - Ford 250-350	2017-2022
718RAM2019-	Bumper - RAM 2500-5500	2019-Present
718GMC2024-	Bumper - GMC 2500-3500	2024-Present
718CHEVY2024-	Bumper - Chevy 2500-3500	2024-Present
9050486	VR EVO 10S	Warn Winch



WORKBENCH TAIL SHELF BUMPER WITH BUILT-IN HITCH & OUTRIGGERS

Part No.	Description
7181807	Bumper Complete RAM, 94" Workspace
7181805	Bumper Complete Ford, 94" Workspace
7181806	Bumper Complete Chevy/GM, 94" Workspace



SET THE STANDARD

WITH CM TRUCK BEDS MERCHANDISE



PARTS BOOK / LIFTING EQUIPMENT



TIGER CRANES			AUTO CRANES		
Ref No.	Part No.	Description	Ref No.	Part No.	Description
1	7900515	Tiger Crane 12V Elec/Hyd Crane - 4K lb. Capacity - 18.5K Ft. Lb. - Wireless Remote - Painted White	3	7900513	Auto Crane/Boom Support Kit - 4K lb. Capacity - Wired Remote - Painted White
2	7900514	Tiger Crane 12V Elec/Hyd Crane - 3.2K lb. Capacity - 12.5K Ft. Lb. - Wireless Remote - Painted White	4	7900512	Auto Crane/Boom Support Kit - 3.2K lb. Capacity - Wired Remote - Painted White



VENCO HOISTS		
Ref No.	Part No.	Description
3	7900029	Venco Hoist Dual Acting 516 DP Electric
4	7900199	Venco Hoist Dual Acting 620 DP Electric



HYDRAULICS & ACCESSORIES		
Ref No.	Part No.	Description
5	7900259	Bale Spike mTE Power Pump
6	123660	CHIEF Bale Spike 3x10 Hydraulic Cylinder
-	124063	1-5/16" x 47" Cast Bale Spike

PARTS BOOK / INSTALLATION KITS



GM ■ FORD ■ RAM

Ref No.	Part No.	Description	Ref No.	Part No.	Description
1	7180522	B&W Flat Bed Installation Kit for GM/Chevrolet Cab & Chassis	-	5352882	B&W Installation Kit for RAMGM
2	7180555	B&W Flat Bed Installation Kit for Ram Cab & Chassis	5	1080065	Universal Flat Bed Installation Kit
3	7180554	B&W Flat Bed Installation Kit for Ford Cab & Chassis	-	5433685	Universal Mounting Kit - 98" Service Body
4	5352592	B&W Flat Bed Installation Kit for Bed Delete Ford	6	5433765	Universal Mounting Kit - 110" Service Body
			7	5353838	Universal Mounting Kit - 134" Service Body



1



2



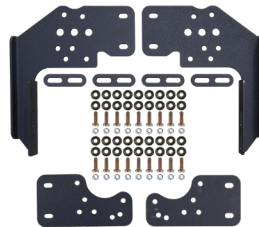
3



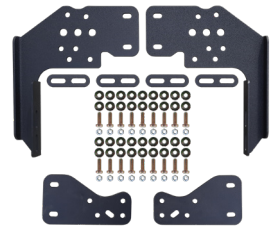
4



5

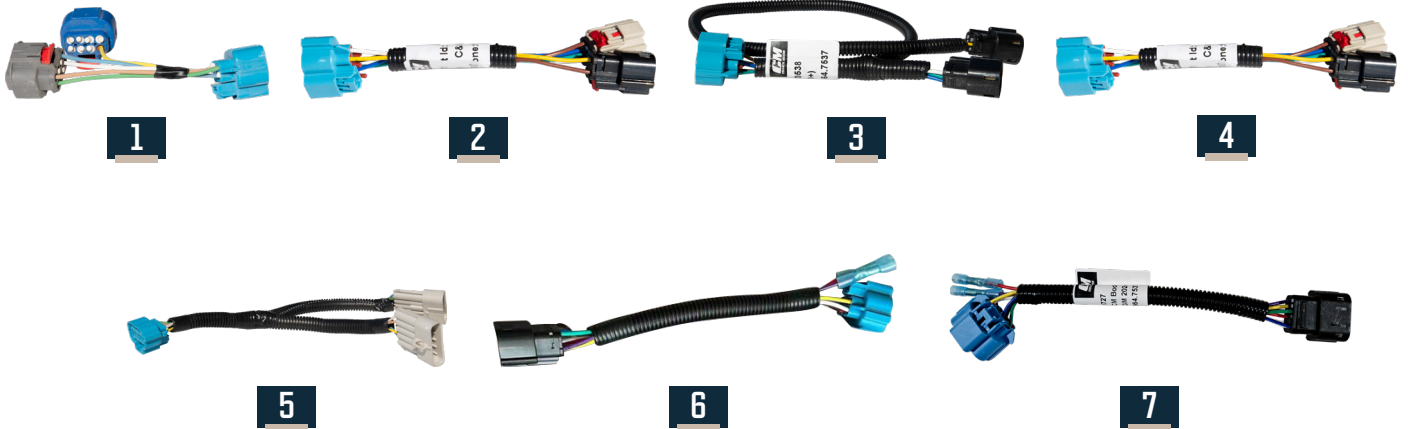


6



7

PARTS BOOK / ADAPTERS



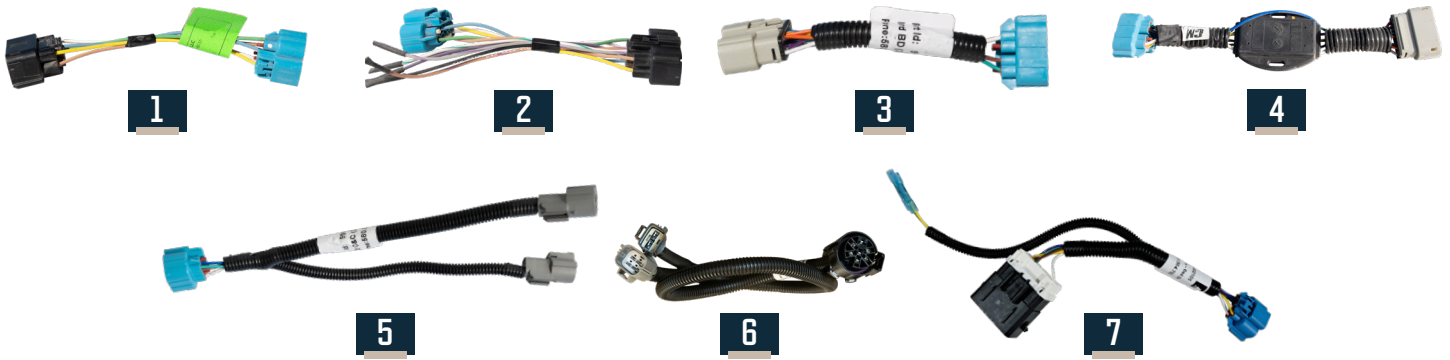
GENERAL MOTORS

Ref No.	Part No.	Description	Model Year	Ref No.	Part No.	Description	Model Year
1	9900300	GM Cab & Chassis Box Delete	2014-2015	4	9900576	GM Cab & Chassis	2020-2024
2	9900353	GM Cab & Chassis Box Delete	2016-2019	5	9900503	GM International Medium Duty	2019-2024
3	9900538	GM Box Delete	2020-2023	6	9900727	GM Bed Delete	2024-2024



RAM

Ref No.	Part No.	Description	Model Year
8	9900657	RAM Box Delete	2019 - 2024
9	9900307	RAM Cab & Chassis	2011 - 2024
10	9900274	Female Universal Trailer Tow with Bare Wire	-



FORD							
Ref No.	Part No.	Description	Model Year	Ref No.	Part No.	Description	Model Year
1	9900308	Ford Box Delete W/Out Factory Camera	2011-2016	4	9900564	Ford Box Delete with Converter	2020 - 2023
2	9900425	Ford Box Delete W/Factory Camera	2011-2016	5	9900306	Ford Cab & Chassis	1999 - 2024
3	9900426	Ford Box Delete	2017-2019	6	9900593	Ford Cab & Chassis for Trailer Tow	2020 - 2024
7	7002105	Ford Box Delete	2023 - 2024				

PARTS BOOK / WIRING HARNESSSES



CM TRUCK BEDS WIRING HARNESSSES							
Ref No.	Part No.	Description	Ref No.	Part No.	Description	Ref No.	Part No.
1	9900474	Main Insulated Harness 98"	4	119905	GN Trailer Plug & Harness		
2	9900472	Rear Insulated Harness	5	7001119	OEM Plug to 7-4 Way Socket w/CMTB Logo		
3	116676-B	Headache Rack Insulated Harness	6	9900450	+/- 2GA Hydraulic Pump Harness with 200 Amp Breaker		

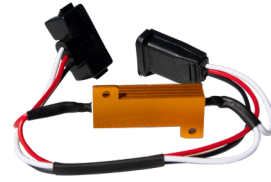
PARTS BOOK / GENERAL WIRING



1



2



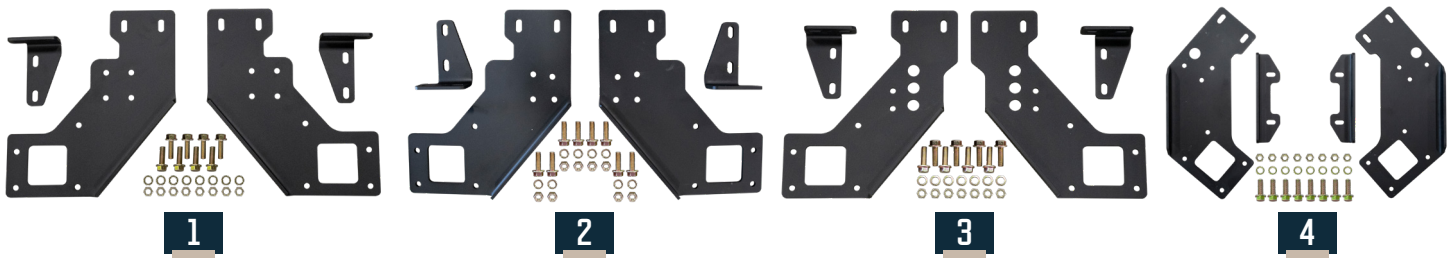
3

BARE WIRES ■ RESISTORS		
Ref No.	Part No.	Description
1	7001230	CM Female Receptacle with Bare Wires
2	8100383	2 Pin Plug with 10" Lead
3	8101425	12 Volt LED Resistor



SET THE STANDARD
WITH CM TRUCK BEDS MERCHANDISE

PARTS BOOK / HITCHES



■ Hitch kits include side legs & crossbar with receiver hitch ■

SERVICE BODY HITCHES					
No.	Part No.	Description	No.	Part No.	Description
1	7352074	B&W Receiver Hitch Kit for Ram Cab & Chassis - 18.5K lb	3	7352075	B&W Receiver Hitch Kit for GM Cab & Chassis - 18.5K lb
-	7181633	B&W Receiver Hitch Kit for Ram Cab & Chassis - 24K lb	-	7181632	B&W Receiver Hitch Kit for GM Cab & Chassis - 24K lb
2	7352073	B&W Receiver Hitch Kit for Ford Cab & Chassis - 18.5K lb	4	7181581	B&W Receiver Hitch Kit for GM Medium Duty - 18.5K lb
-	7181634	B&W Receiver Hitch Kit for For Ford Cab & Chassis - 24K lb	-	7181490	B&W Receiver Hitch Kit for GM Medium Duty - 24K lb
			5	7352106	Crosstube with Receiver Hitch



5TH WHEEL ■ ICC BUMPERS ■ TURNOVER BALLS ■ HITCHES					
No.	Part No.	Description	No.	Part No.	Description
6	7350563	B&W 5th Wheel Companion - 25K to Turnover Hitch	-	7181175	GM Med Duty B&W CT Series Bumper/Hitch - 24K lb w/2.5 Reciever
7	7350608	CURT Spyder 5th Wheel - 30K - Used for HS Bodies	11	7350551	2 15/16" B&W 30K lb B&W GN Turnover Ball
8	7350609	CURT Spyder 2 15/16 Gooseneck - 30K - Used for HS Bodies	12	7351179	Bulletproof 2.5" Heavy Duty 6" Drop/Rise Trailer Hitch - 22K lb Cap.
9	7181173	Ford B&W ICC Bumper/Hitch - 18.5K lb w/2" Receiver	13	7351201	Bulletproof 2.5" Heavy Duty 4" Drop/Rise Trailer Hitch - 22K lb Cap.
10	7181177	Ford B&W CT Series Bumper/Hitch - 24K lb w/2.5" Receiver	14	7351220	Bulletproof 2.5" Extreme Duty 6" Drop/Rise Trailer Hitch - 36K lb Cap.
-	7181172	GM 3500 B&W ICC Bumper/Hitch - 18.5K w/2" Receiver	15	7351216	Bulletproof 2.5" Extreme Duty 4" Drop/Rise Trailer Hitch - 36K lb Cap.
-	7181176	GM 3500 B&W CT Series Bumper/Hitch - 24K lb w/2.5" Receiver	16	8201157	Bulletproof 5/8" Bulletproof Locking Pin
-	7181174	RAM B&W ICC Bumper/Hitch - 18.5K lb w/2" Receiver	-	8201158	Bulletproof 5/8" Bulletproof Locking Pins - (2)
-	7181178	RAM B&W CT Series Bumper/Hitch - 24K lb w/2.5" Receiver	-	8201156	Bulletproof 5/8" Bulletproof Locking Pins - (3)
-	7181171	GM Med Duty B&W ICC Bumper/Hitch - 18.5K lb w/2" Receiver			

PARTS BOOK / TOOLBOX EQUIPMENT



1



2



3

CTECH TOOLBOXES

No.	Part No.	Description	Dimensions	No.	Part No.	Description	Dimensions
1	7181120	C-Tech 6 Drawer for 8'6\"/>					
-	7181121	C-Tech 2 Drawer for 8'6\"/>					
2	7181608	C-Tech 6 Drawer Mega Box for 11'4\"/>					
-	9451346	CB/SB 9878 FV Gen II - 4 Drawer	30" x 24" x 11"	-	9451356	CB/SB 11078 FV Gen II - 6 Drawer	30" x 24" x 11"
-	9451349	CB/SB 9894 FV Gen II - 6 Drawer	30" x 24" x 19"	-	9451357	CB/SB 11094 FV Gen II - 6 Drawer	30" x 24" x 19"
-	9451353	CB/SB 7678/8178 RV Gen II - 4 Drawer	28" x 12" x 11"	-	9451358	CB/SB 11094 w/DEF FV Gen II - 6 Drawer	30" x 24" x 19"
-	9451354	CB/SB 8278/9878 RV Gen II - 5 Drawer	30" x 15" x 11"	-	9451359	CB/SB 11078 RV Gen II - 6 Drawer	30" x 20" x 11"
-	9451355	CB/SB 9894 RV Gen II - 6 Drawer	30" x 15" x 19"	-	9451360	DB/SB 13494 All Verticals and 11094 RV Gen II - 6 Drawer	30" x 20" x 19"
				-	9451363	CB/SB 7878/8178/8278/9878 V-pack HZ Gen II - 2 Drawer	11" x 37" x 10"
				-	9451367	CB/SB 9894 V-pack HZ Gen II - 2 Drawer	11" x 37" x 18"
				-	9451368	CB/SB 11078 V-pack HZ Gen II - 2 Drawer	11" x 44" x 10"
				-	9451369	CB/SB 11094/13494 V-pack HZ Gen II - 2 Drawer	11" x 44" x 18"

AMERICAN EAGLE TOOLBOXES

No.	Part No.	Description	Dimensions	No.	Part No.	Description	Dimensions
3	9450793	Red 6 Drawer Rollout for Standard TM	28 1/2" x 26" x 16"	-	9451524	Red 2 Drawer Rollout for TMX (Needs Riser Kit 53579)	10 1/2" x 25" x 12"
-	9451523	Red 6 Drawer for the Megabox for the TM DLX or SK DLX	28 1/2" x 50" x 16"	-	5353579	Riser Kit - Works with P#9451524	19 1/2" x 8"



EQUIPTO DRAWERS

No.	Part No.	Description
1	7181347	Kit, 11078, Horizontal, Equipto - Gen II
2	7181346	Kit, 11078, Rear Vertical, Equipto - Gen II
3	7181345	Kit, 11094, Horizontal, Equipto - Gen II
4	7181344	Kit, 11094, Rear Vertical, AND 13494, All Vertical, Equipto - Gen II
5	7181343	Kit, 9878 & 11078, 1st Vertical, Equipto - Gen II
6	7181342	Kit, 9894, 11094 1st Vertical, Equipto - Gen II
7	7181341	Kit, 9878, Horizontal, Equipto - Gen II
8	7181340	Kit, 9894, Horizontal, Equipto - Gen II

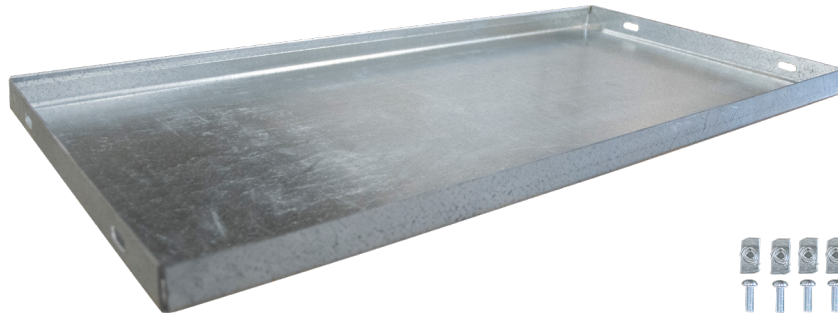
FLIP TOP COMPARTMENTS

No.	Part No.	Description
1	7181154	Top, 11078, Flip - Gen II Loose
2	7181326	Top, 11094, Flip - Gen II Loose
3	7181323	Top, 13494, Flip - Gen II Loose
4	7181324	Top, 7678, Flip - Short Box RAM - Gen II Loose
5	7180843	Top, 8178, Flip - Short Box GM - Gen II Loose
6	7181322	Top, 8278, Flip - Short Box Ford - Gen II Loose
7	7181321	Top, 9878 Flip - Gen II Loose
8	7181320	Top, 9894, Flip - Gen II Loose



HOLMAN LADDER RACKS

No.	Part No.	Description
1	9471878	Material Rack Legs - Will Need With Every Kit
2	9471879	Regular Cab 9878
3	9471884	Extended Cab 9878
4	9471885	Crew Cab 9878
5	9471884	Regular Cab 11094
6	9471885	Extended/Crew Cab 11094
7	9471885	Regular Cab Only 13494



TOOLBOX SHELVING

No.	Part No.	Description	No.	Part No.	Description
1	7180552	Shelf, Galv. Upper Cabinet for 8'6" - 9'4" DRW TM - 15 3/4" x 32 1/4"	3	7181052	Shelf, Galv. Lower Cabinet for 11'4" TM - 13 1/2" x 56"
2	7180553	Shelf, Galv. Lower Cabinet for 8'6" - 9'4" DRW TM - 13 1/4" x 32 1/4"	4	7181053	Shelf, Galv. Upper Cabinet for 11'4" TM - 16" x 56"



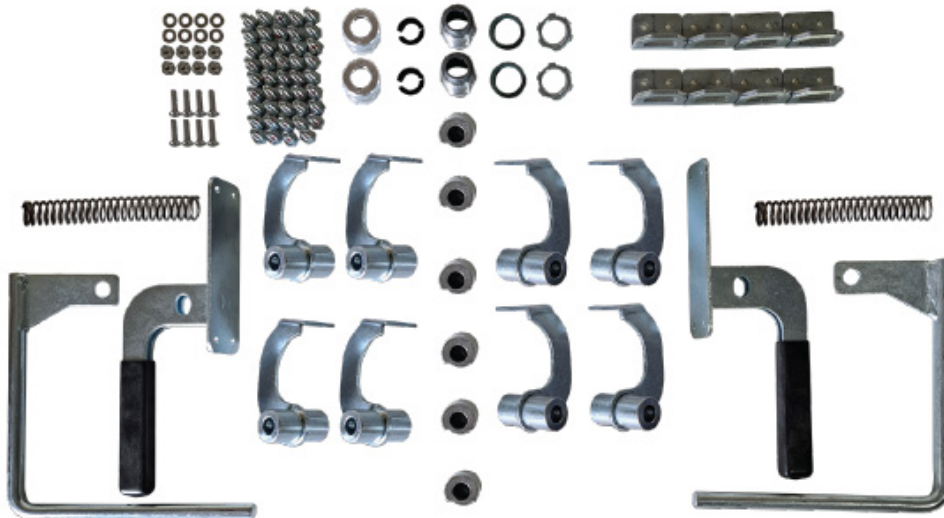
LATCHES ■ HINGES ■ CABLES ■ WEATHERSTRIPPING ■ SPRINGS

No.	Part No.	Description	No.	Part No.	Description	No.	Part No.	Description
1	8200546	Stainless Steel Paddle/Scissor Latch	-	9471846	CB Electronic Latch Kit - (6)	11	122552	TB SS Door Hinge (ER Door)
2	8200598	Stainless Steel Scissor Latch for TM Tailgate	-	9471857	CB Electronic Latch Kit - (8)	12	114209	Strap Hinge for ER/Alum Toolbox
3	8200905-B	T-Handle Compression Latch w/Chrome CMTB Logo	7	8200725	Stainless Steel Paddle Latch Rotary	13	945007	TB Toolbox Cable 13 1/2"
4	8200959	T-Handle Compression Latch w/Full Black No Logo	8	121344	CT Contractor Body Panel Latch	14	9460091	Edging Weatherstrip Flat Seal
5	8201054	Latch T-Handle Composite, Chrome, No Logo	9	122588	DS Left Hand Bullet Spring Latch	15	7300158	30 lb Gas Shock
6	7181681	CB Electronic Latch Replacement	10	122587	PS Right Hand Bullet Spring Latch	-	119324	90 lb Gas Shock



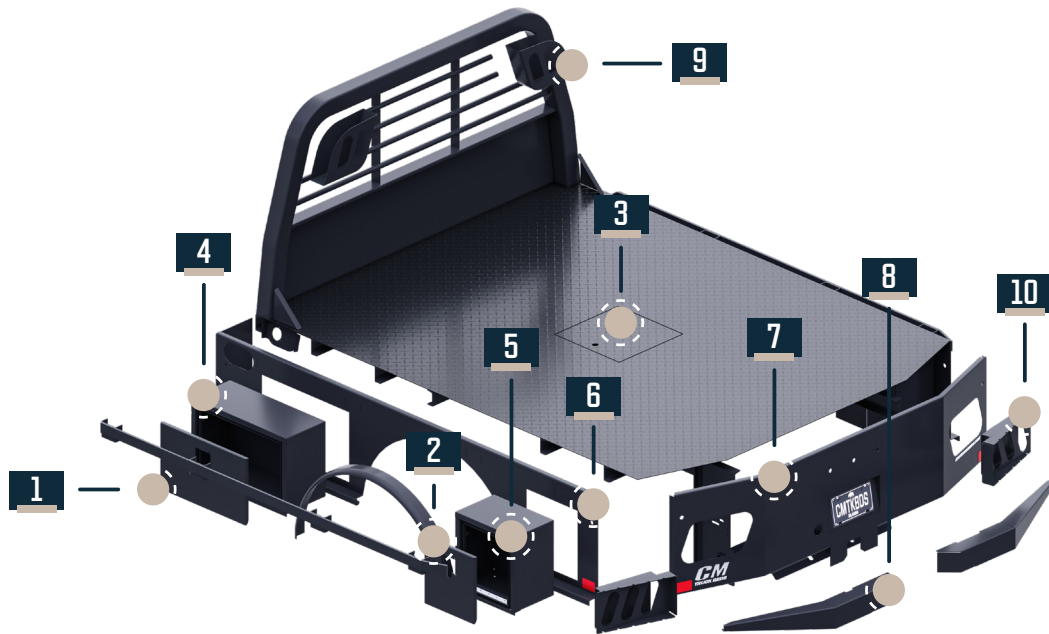
PISTOL GRIP MASTERLOCKS

Part No.	Description
8201223	Masterlock, 7678, CS and SS
8201224	Masterlock, 81 & 82/78, CS and SS Kit
8201225	Masterlock, 98, CS & SS Kit
8201226	Masterlock, 110, CS & SS Kit
8201227	Masterlock, 134, CS & SS Kit



■ RODS ARE INCLUDED, BUT NOT PICTURED HERE. ■

PARTS BOOK / FABRICATED PARTS

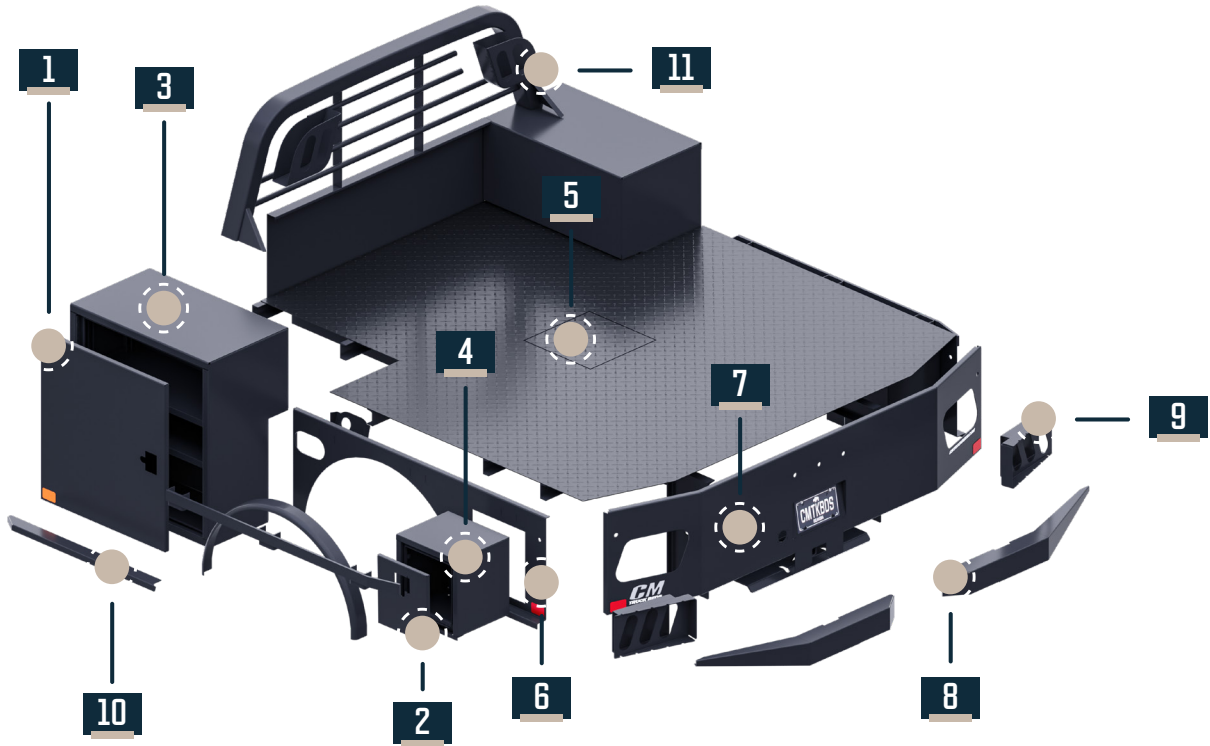


■ PLEASE NOTE BED ID WHEN ORDERING FABRICATED PARTS ■

SK SKIRTED BODY PIECES

No.	Part No.	Description	No.	Part No.	Description
1	7180516	15" Front Door		7181616	94" - Passenger's Side Skirt
	7180515	24" Front Door		7181615	94" - Driver's Side Skirt
	7180759	36" Front Door	7	7181135	97 W - Rear Skirt
2	7180516	15" Rear Door		7181649	94 W - Rear Skirt
	7180785	18" Rear Door		7181650	84 W - Rear Skirt
3	7181504	GN Lid	8	7181688	84 W - Driver's Side Bumper Wing
4	9450516	15" Front Box Compartment - 10" Depth		7181689	84 W - Passenger's Side Bumper Wing
	9450515	24" Front Box Compartment - 10" Depth		718160	92 W - Driver's Side Bumper Wing
	9450487	24" Front Box Compartment - 13" Depth		7181691	92 W - Passenger's Side Bumper Wing
	9450485	36" Front Box Compartment - 13" Depth		7181692	94 W - Driver's Side Bumper Wing
5	9450516	15" Rear Box Compartment - 10" Depth		7181693	94 W - Passenger's Side Bumper Wing
	9450541-B	18" Rear Box Compartment - 10" Depth		7181694	97 W - Driver's Side Bumper Wing
	9450491	15" Rear Box Compartment - 13" Depth		7181695	97 W - Passenger's Side Bumper Wing
	9450493	18" Rear Box Compartment - 13" Depth	9	7181627	Driver's Side Headache Rack Housing
6	7181696	8'6"/94 - Passenger's Side Side Skirt		7181628	Passenger's Side Headache Rack Housing
	7181697	8'6"/94 - Driver's Side Side Skirt	10	7181604	Passenger's Side Rear Light Housing
	7181698	8'6"/97 - Passenger's Side Skirt		7181603	Driver's Side Rear Light Housing
	7181699	8'6"/97 - Driver's Side Skirt			

SK SKIRTED DELUXE BODY PIECES



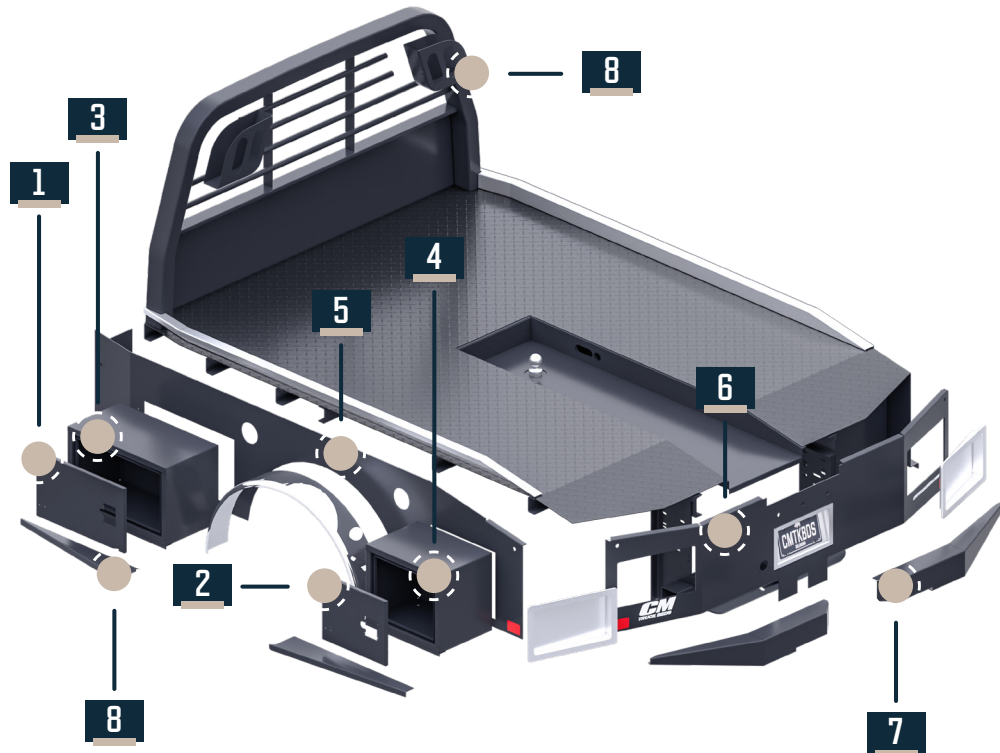
■ PLEASE NOTE BED ID WHEN ORDERING FABRICATED PARTS ■

FABRICATED PARTS

No.	Part No.	Description	No.	Part No.	Description
1	7180567	Driver's Side Front Compartment Door	7	7181135	97 W - Rear Skirt
	7180566	Passenger's Side Front Compartment Door		7181649	94 W - Rear Skirt
2	7180516	15" Wide Rear Compartment Door		7181650	84 W - Rear Skirt
	7180785	18" Wide Rear Compartment Door	8	7181688	84 W - Driver's Side Bumper Wing
3	7181500	Passenger's Side Front Compartment for 84", 94", or 97" Wide Bodies		7181689	84 W - Passenger's Side Bumper Wing
	7181503	Driver's Side Front Compartment for 84", 94", or 97" Wide Bodies	9	7181604	Passenger's Side Rear Light Housing
4	9450516	15" Rear Compartment - 10" Depth		7181603	Driver's Side Rear Light Housing
	9450493	18" Rear Compartment - 10" Depth	10	7180471	Running Board Kit - 84", 8'6", 9'4", or 11'4" Lengths - SRW or DRW
5	7181504	GN Cover Lid	11	7181627	Driver's Side Headache Rack Light Housing
6	-	Available Upon Request		7181628	Passenger's Side Headache Rack Light Housing



ER HAULER BODY PIECES

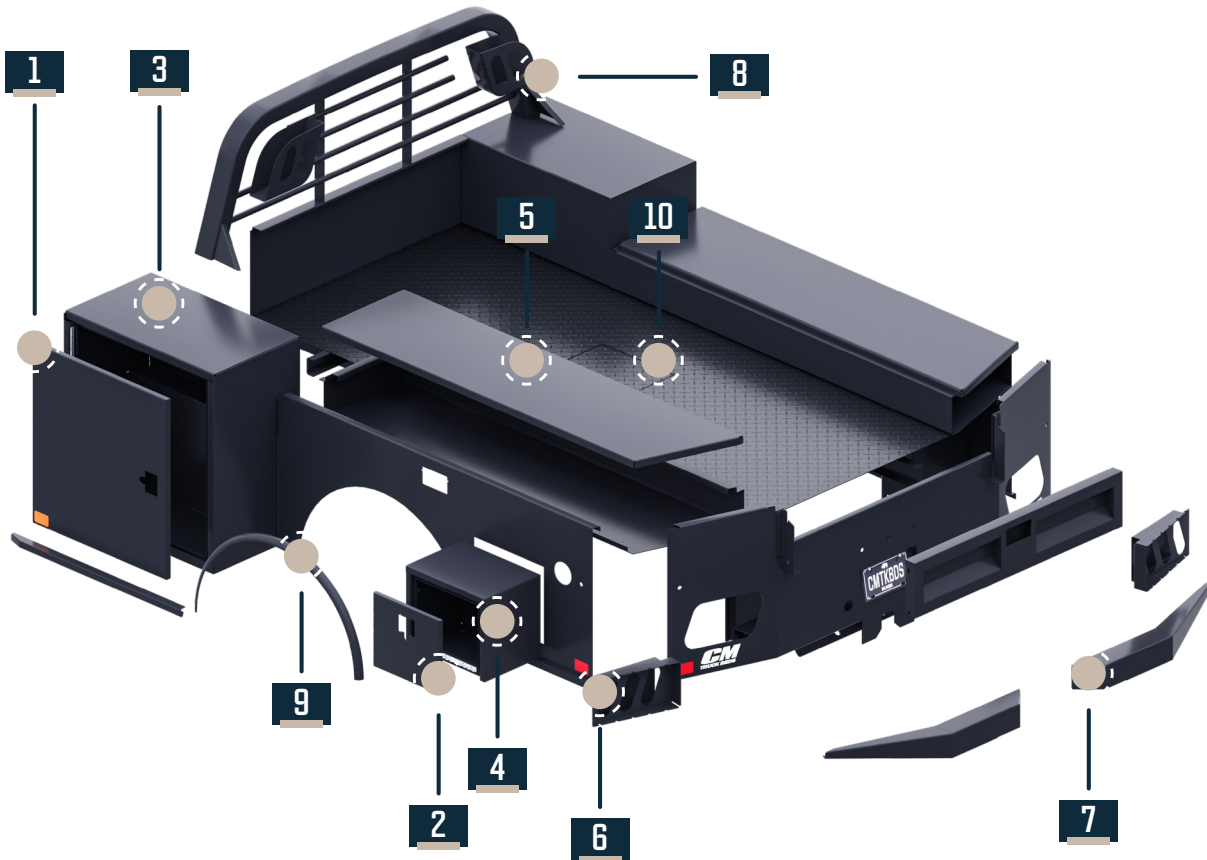


■ PLEASE NOTE BED ID WHEN ORDERING FABRICATED PARTS ■

FABRICATED PARTS

No.	Part No.	Description	No.	Part No.	Description
1	7181631	15" Front Compartment Door	7	7181686	Driver's Side Bumper Wing - 82"
	7180520	24" Front Compartment Door		7181687	Passenger's Side Bumper Wing - 82"
				7181688	Driver's Side Bumper Wing - 84"
2	7181631	15" Rear Compartment Door		7181689	Passenger's Side Bumper Wing - 84"
	7181704	18" Rear Compartment Door		7181690	Driver's Side Bumper Wing - 92"
3	9450543	15" Front Compartment Box - 10" Depth		7181691	Passenger's Side Bumper Wing - 92"
	9450544	24" Front Compartment Box - 10" Depth		7181692	Driver's Side Bumper Wing - 94"
				7181693	Passenger's Side Bumper Wing - 94"
	9450567	15" Front Compartment Box - 13" Depth		7181694	Driver's Side Bumper Wing - 97"
	9450545	24" Front Compartment Box - 13" Depth		7181695	Passenger's Side Bumper Wing - 97"
	9450547	36" Front Compartment Box - 13" Depth	8	7180822	TB ER Rear Running Board
4	9450543	15" Rear Compartment Box - 10" Depth		7180489	TB ER Front Running Board
	9450246	18" Rear Compartment Box - 10" Depth	9	7181627	Driver's Side Headache Rack Light Housings
	9450567	15" Rear Compartment Box - 13" Depth		7181628	Passenger's Side Headache Rack Light Housings
	9450541	18" Rear Compartment Box - 13" Depth	10	120804	Cast Light Housing - Passenger's Side
5	7181796	Driver's or Passenger's Side Skirt		120803	Cast Light Housing - Driver's Side
6	7181799	Rear Skirt for 84", 92", 94", or 97" Widths	11	119384	Stainless Steel 5" Wide

TM TRADESMAN BODY PIECES

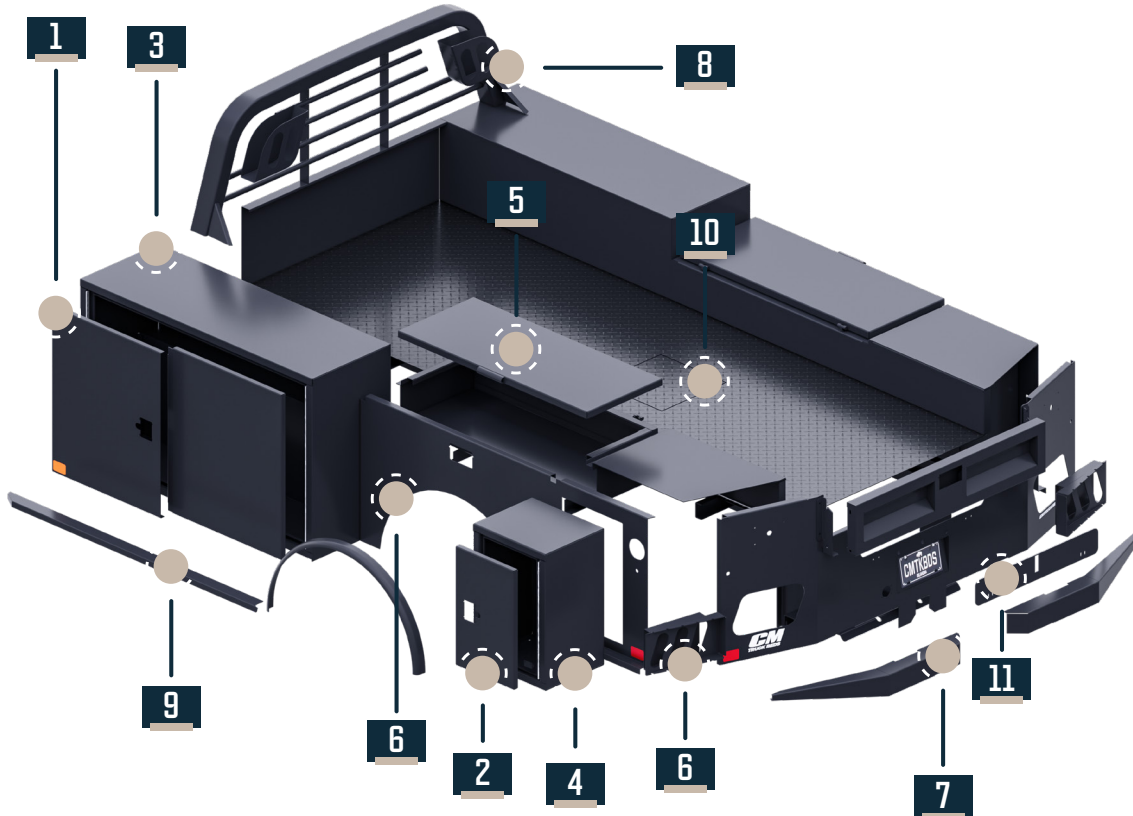


■ PLEASE NOTE BED ID WHEN ORDERING FABRICATED PARTS ■

FABRICATED PARTS

No.	Part No.	Description	No.	Part No.	Description
1	7180567	Driver's Side Front Compartment Door	7	7181688	84 W - Driver's Side Bumper Wing
	7180566	Passenger's Side Front Compartment Door		7181689	84 W - Passenger's Side Bumper Wing
2	7180516	15" Wide Rear Compartment Door		718160	92 W - Driver's Side Bumper Wing
	7180760	18" Wide Rear Compartment Door		7181691	92 W - Passenger's Side Bumper Wing
3	7181500	Passenger's Side Front Compartment for 84", 94", or 97" Wide Bodies		7181692	94 W - Driver's Side Bumper Wing
	7181503	Driver's Side Front Compartment for 84", 94", or 97" Wide Bodies		7181693	94 W - Passenger's Side Bumper Wing
4	9450516	15" Rear Compartment - 10" Depth		7181694	97 W - Driver's Side Bumper Wing
	9450493	18" Rear Compartment - 10" Depth		7181695	97 W - Passenger's Side Bumper Wing
5	7180268	Driver's or Passenger's Side Shovel Box Compartment Door - SRW or DRW - 60" x 19"	8	7181627	Driver's Side Headache Rack Light Housing
	7180576	Driver's or Passenger's Side Shovel Box Compartment Door - SRW or DRW - 72" x 19"		7181628	Passenger's Side Headache Rack Light Housing
6	7181604	Passenger's Side Rear Light Housing	9	7180471	Running Board Kit - 84", 8'6", 9'4", or 11'4" Lengths - SRW or DRW
	7181603	Driver's Side Rear Light Housing	10	7181504	GN Cover Lid

TM TRADESMAN DELUXE BODY PIECES

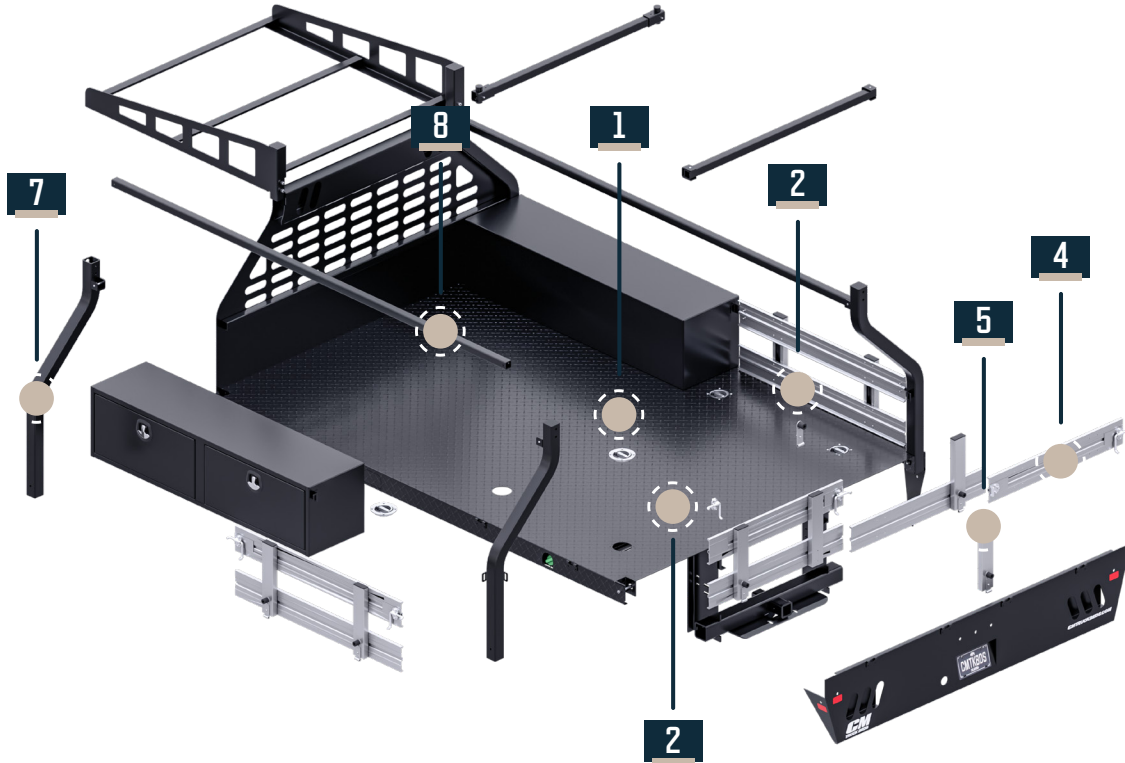


■ PLEASE NOTE BED ID WHEN ORDERING FABRICATED PARTS ■

FABRICATED PART NUMBERS

No.	Part No.	Description	No.	Part No.	Description
1	7181783	Dual Door RH w/out Latch - Driver's Side		7181603	Driver's Side Rear Light Housing
	7181784	Dual Door LH w/Latch - Driver's Side	7	7181688	84 W - Driver's Side Bumper Wing
	7181786	Dual Door RH w/out Latch - Passenger's Side		7181689	84 W - Passenger's Side Bumper Wing
	7181787	Dual Door LH w/Latch - Passenger's Side		718160	92 W - Driver's Side Bumper Wing
2				7181691	92 W - Passenger's Side Bumper Wing
3	945001	9'4" Driver's Side Front Compartment		7181692	94 W - Driver's Side Bumper Wing
	945002	9'4" Passenger's Side Front Compartment		7181693	94 W - Passenger's Side Bumper Wing
	9451048-B	11'4" Driver's Side Front Compartment		7181694	97 W - Driver's Side Bumper Wing
	9451049-B	11'4" Passenger's Side Front Compartment		7181695	97 W - Passenger's Side Bumper Wing
4	9450426-B	Passenger's Side Rear Compartment - 27" T x 18" W x 15" D	8	7181627	Driver's Side Headache Rack Light Housing
	9451049-B	Driver's Side Rear Compartment - 27" T x 18" W x 15" D		7181628	Passenger's Side Headache Rack Light Housing
5	7180268	Driver's Side or Passengers Side Shovel Box Compartment Door - 60" x 19"	9	7180471	Running Board Kit - 84", 8'6", 9'4", or 11'4" Lengths - DRW or SRW
	7180576	Driver's Side or Passenger's Side Shovel Box Compartment Door - 72" x 19"	10	7181504	GN Cover Lid
6	7181604	Passenger's Side Rear Light Housing	11	7180776	Opposum Belly Door

CT CONTRACTOR BODY



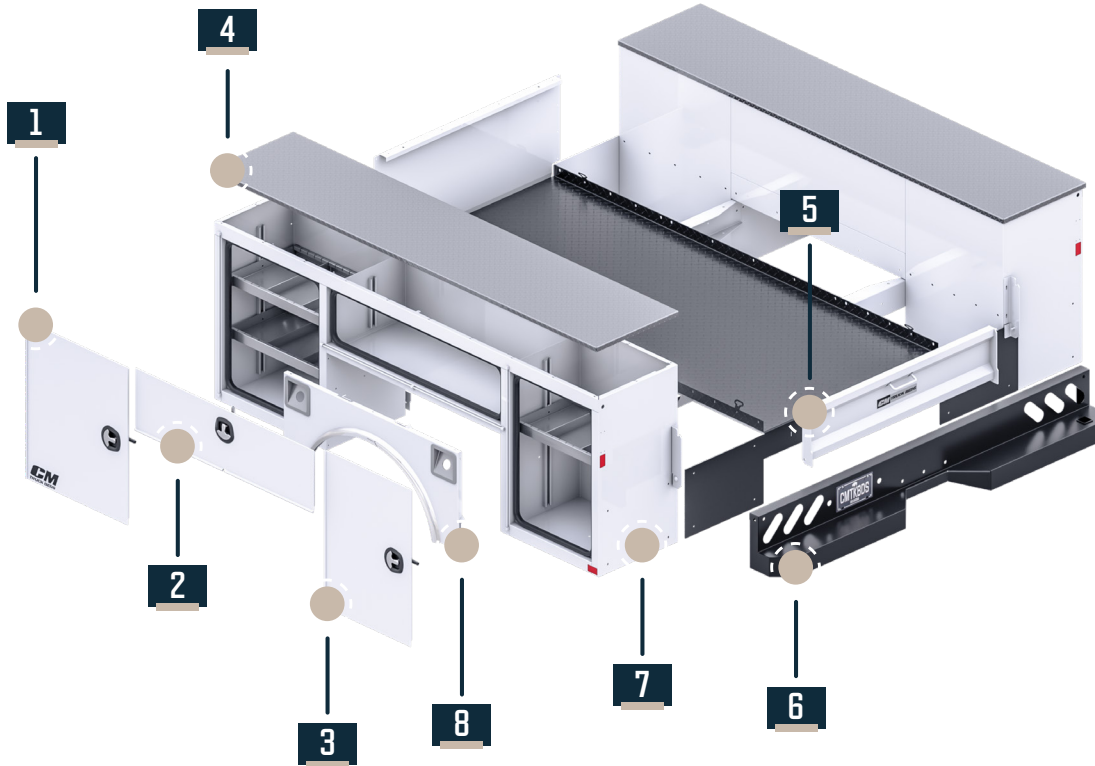
■ PLEASE NOTE BED ID WHEN ORDERING FABRICATED PARTS ■

FABRICATED PART NUMBERS

No.	Part No.	Description	No.	Part No.	Description
1	9250937	Heavy Duty Ties	5	2500163	Stake
2	9471820-8	Latch for Fold Down Sides	-	5433757	Material Rack 66" Assembly
3	121344	Latch for Stake Side	7	5353637	Cross Bar Rack
4	6062271	Stake Side Slat	8	9451005	TB Box - 72" x 18" x 18" - Double Lid



CB CONVERTIBLE SERVICE BODY



■ PLEASE NOTE BED ID WHEN ORDERING FABRICATED PARTS ■

FABRICATED PART NUMBERS

No.	Part No.	Description	No.	Part No.	Description
1	7181411	Aluminum 8178 Short Box GM 1st Vertical Door - Gen II		7181389	Galvaneal 110" Rear Vertical and 134" All Vertical V Config - Gen II
	7181368	Galvaneal 8178 Short Box GM 1st Vertical Door - Gen II	4	7181212	Aluminum/Steel Sidepack Top - 7678 Std Short Box RAM - Gen II
	7181405	Aluminum 8278 Short Box Ford 1st Vertical Door - Gen II		7181211	Aluminum/Steel Sidepack Top - 8078 Std Short Box GM - Gen II
	7181362	Galvaneal 8278 Short Box Ford 1st Vertical Door - Gen II		7181210	Aluminum/Steel Sidepack Top - 8278 Std Short Box Ford - Gen II
	7181432	Aluminum 11078 1st Vertical Door - Gen II		7181209	Aluminum/Steel Sidepack Top - 9878 Std - Gen II
	7181357	Galvaneal 11078 1st Vertical Door - Gen II		7181208	Aluminum/Steel Sidepack Top - 9894 Std - Gen II
	7181428	Aluminum 110" Rear Vertical and 134" All Vertical V Config - Gen II		7181215	Aluminum/Steel Sidepack Top - 11078 Std - Gen II
	7181389	Galvaneal 110" Rear Vertical and 134" All Vertical V Config - Gen II		7181214	Aluminum/Steel Sidepack Top - 11094 Std - Gen II
2	7181416	Aluminum 76", 81", 82", and 98" V Config Horizontal Door - Gen II		7181213	Aluminum/Steel Sidepack Top - 13494 Std
	7181373	Galvaneal 76", 81", 82", and 98" V Config Horizontal Door - Gen II	5	7181207	Aluminum/Steel Tailgate w/Latch - All Pieces - Gen II
3	7181406	Aluminum 8178 Short Box GM Rear Vertical V Config Door - Gen II	6	7181463	SRW 78" Bumper w/Lights - Gen II
	7181363	Galvaneal 8178 Short Box GM Rear Vertical V Config Door - Gen II		7181464	DRW 78" Bumper w/Lights - Gen II
	7181401	Aluminum 82" and 98" Rear Vertical V Config Door - Gen II		7181457	78" Bumper w/out Lights - Gen II SRW CB w/out S/T/T Bumper Lighting
	7181358	Galvaneal 82" and 98" Rear Vertical V Config Door - Gen II		7181455	SRW 94" Bumper w/Lights
	7181428	Aluminum 110" Rear Vertical and 134" All Vertical V Config - Gen II		7181456	DRW 94" Bumper w/Lights



CONTINUED **FABRICATED PART NUMBERS** **CONTINUED**

No.	Part No.	Description	No.	Part No.	Description
	7181453	78" Cab Chassis Bumper w/Lights - For 110" SRW Gen II CB Bodies		7181229	Aluminum/Galvaneal 9894 Curbside Sidepack Assy - Doors, Complete Fender Panel (Latches, Shelves, & Top Purchased Separately) - Gen II
	7181451	94" Cab Chassis Bumper w/Lights - For 110" & 134" DRW Gen II CB Bodies		7181234	Aluminum/Galvaneal 11094 Streetside Sidepack, Pack Only - Gen II
	7181450	78" Cab Chassis Bumper w/out Lights - For 110" SRW Gen II SB Bodies		7181236	Aluminum/Galvaneal 11094 Curbside Sidepack, Pack Only - Gen II
	7181449	94" Cab Chassis Bumper w/out Lights - For 110" & 134" DRW Gen II SB Bodies		7181235	Aluminum/Galvaneal 11094 Streetside Sidepack Assy - Doors, Complete Fender Panel (Shelves & Tops Purchased Separately) - Gen II
7	7181230	Aluminum/Galvaneal 9878 Streetside Pack Only - Gen II		7181237	Aluminum/Galvaneal 11094 Curbside Sidepack Assy - Doors, Complete Fender Panel (Shelves & Tops Purchased Separately) - Gen II
	7181232	Aluminum/Galvaneal 9878 Curbside Pack Only - Gen II	8	7181339	Cab Chassis Curbside Plain Aluminum Fender - Gen II
	7181231	Aluminum/Galvaneal 9878 Streetside Sidepack Assy - Doors, Complete Fender Panel (Latches, Shelves & Top Purchased Separately) - Gen II		7181335	Pickup Box Delete Curbside Plain Aluminum Fender - Gen II
	7181233	Aluminum/Galvaneal 9878 Curbside Sidepack Assy - Doors, Complete Fender Panel (Latches, Shelves & Top Purchased Separately) - Gen II		7181334	Pickup Box Delete Streetside Aluminum Front CO - Gen II
	781238	Aluminum/Galvaneal 11078 Streetside Sidepack - Pack Only - Gen II		7181338	Cab Chassis Streetside Aluminum Dual CO - Gen II
	7181240	Aluminum/Galvaneal 11078 Curbside Sidepack - Pack Only - Gen II		7181337	Cab Chassis Streetside Aluminum Fron CO - Gen II
	7181239	Aluminum/Galvaneal 11078 Streetside Sidepack Assy - Doors, Complete Fender Panel (Shelves & Top Purchased Separately) - Gen II		7181336	Cab Chassis Streetside Aluminum Rear CO - Gen II
	7181241	Aluminum/Galvaneal 11078 Curbside Sidepack Assy - Doors, Complete Fender Panel (Shelves & Top Purchased Separately) - Gen II		7181329	Pickup Box Delete Curbside Galvaneal Plain Fender - Gen II
	7181226	Aluminum/Galvaneal 9894 Streetside Sidepack - Pack Only - Gen II		7181328	Pickup Box Delete Streetside Galvaneal Fender Front CO - Gen II
	7181228	Aluminum/Galvaneal 9894 Curbside Sidepack - Pack Only - Gen II		7181333	Cab Chassis Galvaneal Curbside Plain Fender - Gen II
	7181227	Aluminum/Galvaneal 9894 Streetside Sidepack Assy - Doors, Complete Fender Panel (Latches, Shelves, & Top Purchased Separately) - Gen II		7181332	Cab Chassis Galvaneal Streetside Dual CO Fender - Gen II
				7181331	Cab Chassis Galvaneal Streetside Front CO Fender - Gen II
				7181330	Cab Chassis Galvaneal Streetside Rear CO Fender - Gen II



CM

TRUCK BEDS®

580.564.7537

CMTRUCKBEDS.COM

SET THE
STANDARD